



JET/ JET TWIN

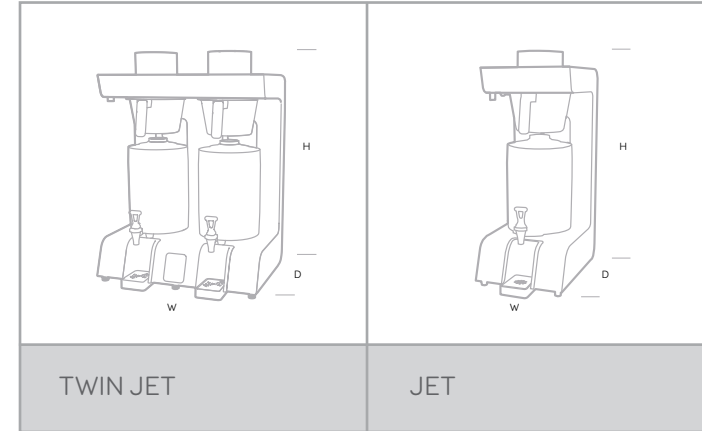
FILTER COFFEE
BREWERS



FEATURES/

- SCAE Gold Cup coffee quality.
- Operator-friendly touch-screen interface.
- Can automatically control grinder slave.
- Portion control of water and coffee amounts.
- Precision water volume and temperature.
- Minimised footprint.
- Built-in cup-well.
- Best-in-class energy efficiency.
- Sleek front-of-house design.
- Versatile deployment (grinder, manual or pre-ground packs).
- Reduced operator error.
- Hot water dispense.

DIMENSIONS/



FOR MEDIUM TO HIGH VOLUME FILTER COFFEE REQUIREMENTS, E.G. HOTELS, BUSY CAFÉS, RESTAURANTS, CANTEENS

SPECS/OPTIONS

DESCRIPTION	ORDER CODE	FULL BREW (L)	HOT WATER DRAW OFF (L) **	CUPS PER HOUR	POWER @ 230V	WEIGHT (KG)
JET 6 TWIN*	1000855	6 x 2	16	189 X 2	5.6kW	48
JET 6 5.6kW*	1000850	6	6	189	5.6kW	24
JET 6 2.8kW	1000851	6	6	189	2.8kW	24
URN 6.0L	1700174	N/A	N/A	N/A	N/A	7
JET FCG6	1000890	N/A	N/A	N/A	0.8kW	13

*Urn is sold separately

**Disabled during brew

DESCRIPTION	DIMENSIONS (DXWXHmm)	PACKAGING (DXWXHmm)	QTY PER PALLET	PLUMBING REQUIREMENTS
JET 6 TWIN	444x614x810	500x710x920	2	3/8" BSP
JET 6 5.6kW*	444x303x810	620x440x850	6	3/4" BSP
JET 6 2.8kW	444x303x810	620x440x850	6	3/4" BSP
URN 6.0L	420x245x570	640x310x440	16	N/A
JET FCG6	370x205x550	500x300x800	12	N/A

FOR CUSTOMER CARE/SPARES & SERVICE VISIT

WWW.MARCOBEVERAGESYSTEMS.COM